

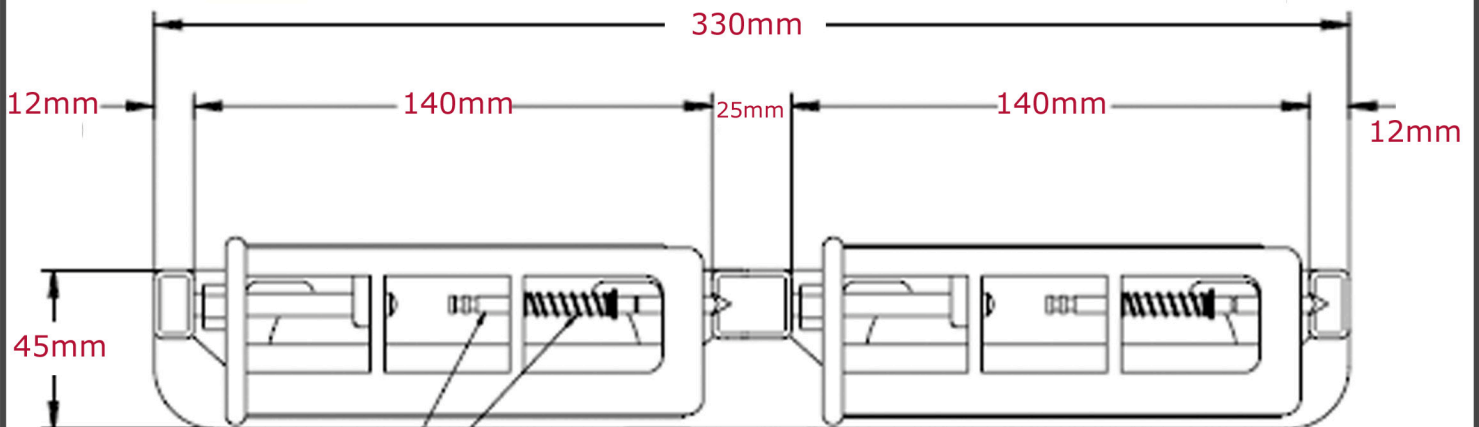
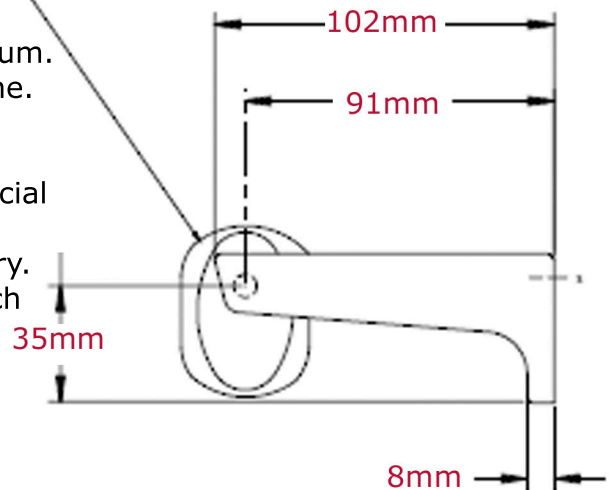
**DOUBLE CONTROLLED FEED TOILET TISSUE DISPENSER  
CFT043**



SPINDLE

**CONSTRUCTION:** Bracket fabricated of die cast aluminium. Spindles fabricated of gray polystyrene. Stainless steel spring.

**CAPACITY:** Two standard core toilet tissue rolls.  
**OPERATION:** Remove tissue roll core to access special locking mechanism for servicing. Stops on spindle control paper delivery. Spindle revolves only 1/2 turn for each dispensing operation and returns to original position.



RELEASE PIN WITH  
SPRING-LOCK

AQUA CONCEPTS

10/46 SMITH ST, SOUTHPORT, QLD 4215 PH: 07 5503 0855 FAX: 07 5503 0877

CAPITOL BUILDING AND SECURITY PRODUCTS, MELBOURNE

53 MILLS RD, BRAESIDE, VIC 3195 PH: 03 9587 5330 FAX: 03 9587 5752

SPECIALISED PROJECT SERVICES

1/151 BEAUCHAMP RD, MATRAVILLE, NSW 1240 PH: 02 9666 8998 FAX: 02 9666 8997