

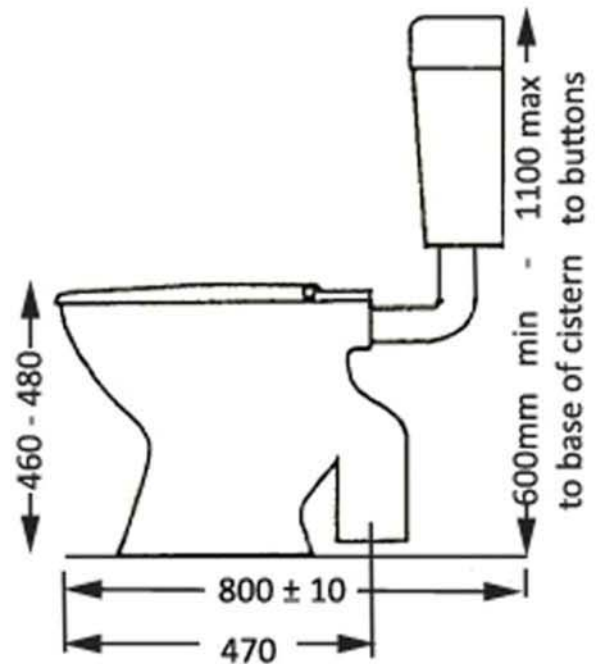
DDVC - Disabled WC Suite with Vitreous China Cistern

Designed with the commercial & disabled applications in mind, this suite combines simple design with functional form.



- Back entry, box rimmed, enclosed trap pan
- 4.5/3 litre dual flush ceramic cistern
- Supplied with Novad Care seat
- Optional seat - Celeste Care seat
- Supplied with care buttons & extended flush pipe
- WELS 4 Star Water Efficiency Rating - EVO
- Bottom inlet

Approvals: Australian Standards AS 1172.1 & AS 1172.2 & Disabled Code AS 1428.1



AQUA CONCEPTS

10/46 SMITH ST, SOUTHPORT, QLD 4215 PH: 07 5503 0855 FAX: 07 5503 0877

CAPITOL BUILDING AND SECURITY PRODUCTS, MELBOURNE

53 MILLS RD, BRAESIDE, VIC 3195 PH: 03 9587 5330 FAX: 03 9587 5752

SPECIALISED PROJECT SERVICES

1/151 BEAUCHAMP RD, MATRAVILLE, NSW 1240 PH: 02 9666 8998 FAX: 02 9666 8997