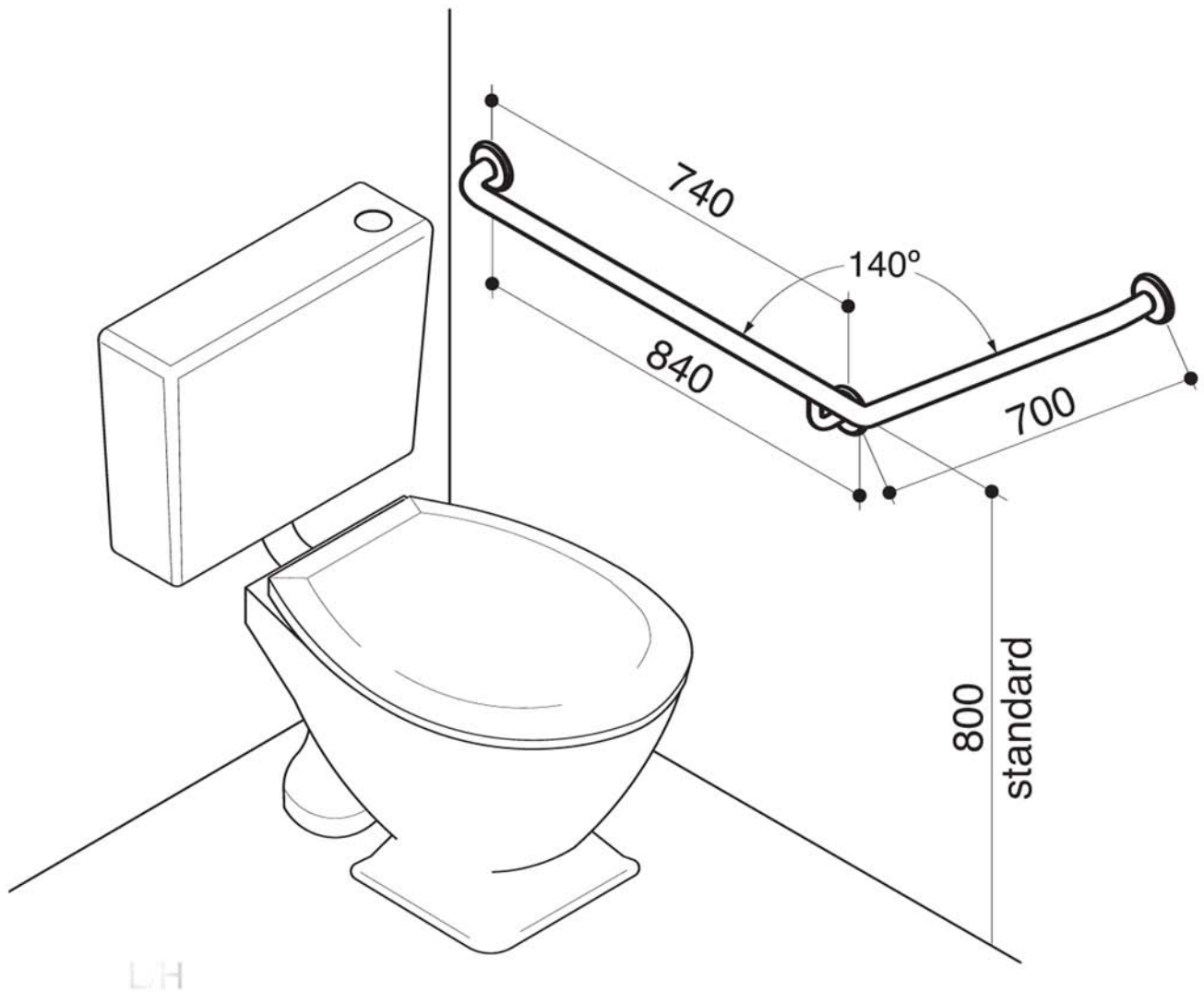


## GR226 45 DEGREE GRAB RAIL



AQUA CONCEPTS

10/46 SMITH ST, SOUTHPORT, QLD 4215 PH: 07 5503 0855 FAX: 07 5503 0877

CAPITOL BUILDING AND SECURITY PRODUCTS, MELBOURNE

53 MILLS RD, BRAESIDE, VIC 3195 PH: 03 9587 5330 FAX: 03 9587 5752

SPECIALISED PROJECT SERVICES

1/151 BEAUCHAMP RD, MATRAVILLE, NSW 1240 PH: 02 9666 8998 FAX: 02 9666 8997