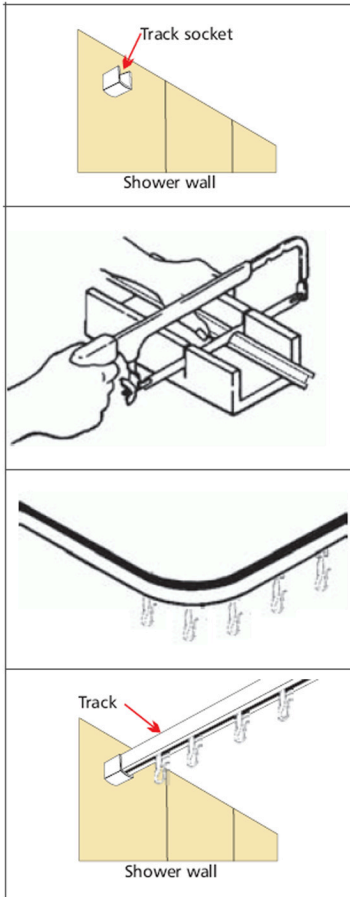


## MONOTRACK SHOWER & CUBICLE RAILS

AVAILABLE IN ANODISED ALUMINIUM OR WHITE POWDER COATED

### MONOTRACK FIXING INSTRUCTIONS



1. ATTACHED TRACK SOCKET ONTO WALL WITH COUNTER SUNK SCREWS

2. CUT TRACK WITH HACKSAW TO SUIT EXACT SIZE.

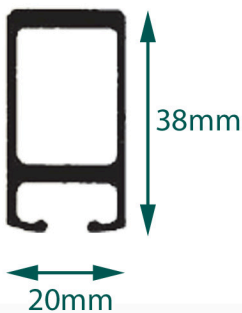
3. INSERT CURTAIN HOOKS INTO TRACK.

4. ATTACHED RAIL INTO SOCKET INTO EACH END, THEN FASTEN WITH COUNTER SUNK SCREWS

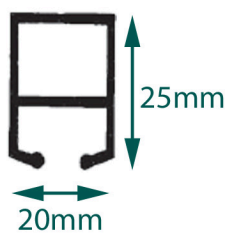


### TRACK / SOCKETS / HOOKS

MONOTRACK



MINI MONOTRACK



WALL MOUNTED TRACK SOCKET



SWIVEL CURTAIN HOOKS



AQUA CONCEPTS

10/46 SMITH ST, SOUTHPORT, QLD 4215 PH: 07 5503 0855 FAX: 07 5503 0877

CAPITOL BUILDING AND SECURITY PRODUCTS, MELBOURNE

53 MILLS RD, BRAESIDE, VIC 3195 PH: 03 9587 5330 FAX: 03 9587 5752

SPECIALISED PROJECT SERVICES

1/151 BEAUCHAMP RD, MATRAVILLE, NSW 1240 PH: 02 9666 8998 FAX: 02 9666 8997