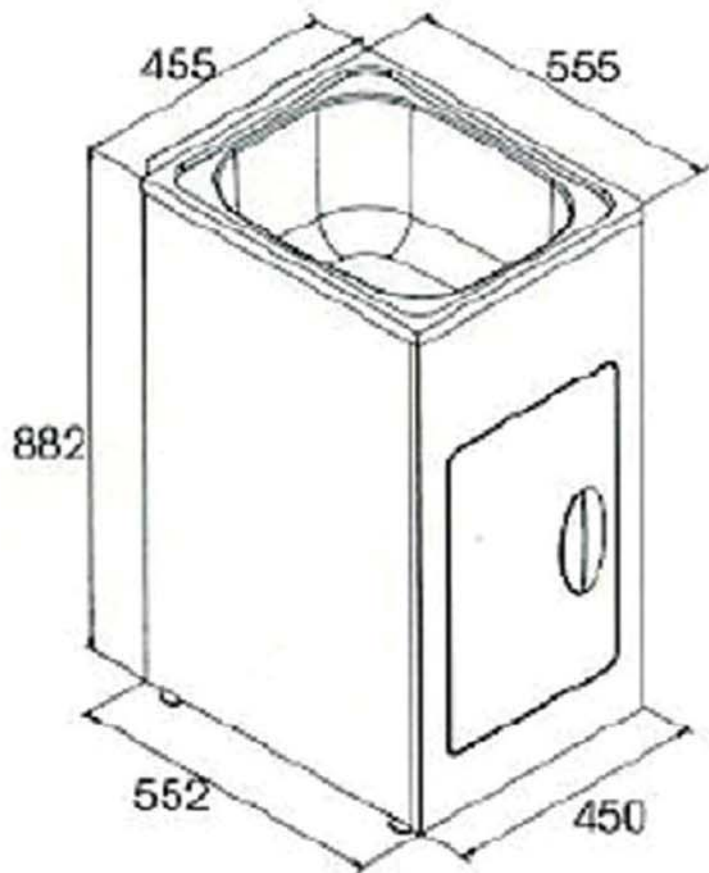




## STCLN 40 Litre Stainless Steel Tub and Colourbond Cabinet (Narrow)



There is a Lifetime Manufacturer's Warranty on all Stainless Steel Products.

The tub in both the ST/C 45L and the ST/COMPACT has a Lifetime Manufacturer's Warranty.

The cabinet for both the ST/C 45L and the ST/COMPACT have a 30 Year Manufacturer's Warranty.

### AQUA CONCEPTS

10/46 SMITH ST, SOUTHPORT, QLD 4215 PH: 07 5503 0855 FAX: 07 5503 0877

**CAPITOL BUILDING AND SECURITY PRODUCTS, MELBOURNE**

53 MILLS RD, BRAESIDE, VIC 3195 PH: 03 9587 5330 FAX: 03 9587 5752

**SPECIALISED PROJECT SERVICES**

1/151 BEAUCHAMP RD, MATRAVILLE, NSW 2036 PH: 02 9666 8998 FAX: 02 9666 8997