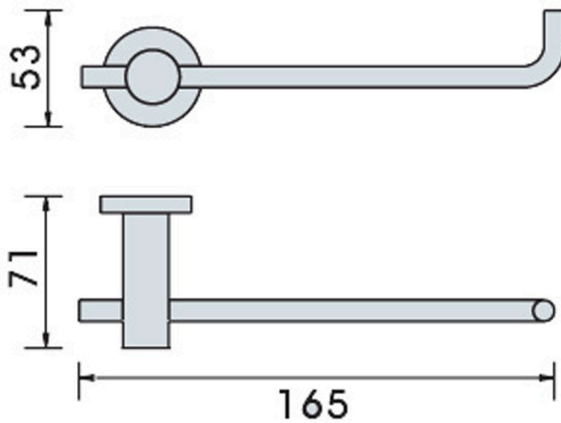




ZONA

Z84486W TOILET ROLL HOLDER



**AQUA CONCEPTS**

10/46 SMITH ST, SOUTHPORT, QLD 4215 PH: 07 55030855 FAX: 07 55030877

**CAPITOL BUILDING AND SECURITY PRODUCTS, MELBOURNE**

53 MILLS RD, BRAESIDE, VIC 3195 PH: 03 95875330 FAX: 03 95875752

**SPECIALISED PROJECT SERVICES**

1/151 BEAUCHAMP RD, MATRAVILLE, NSW 1240 PH: 02 96668998 FAX: 02 96668997