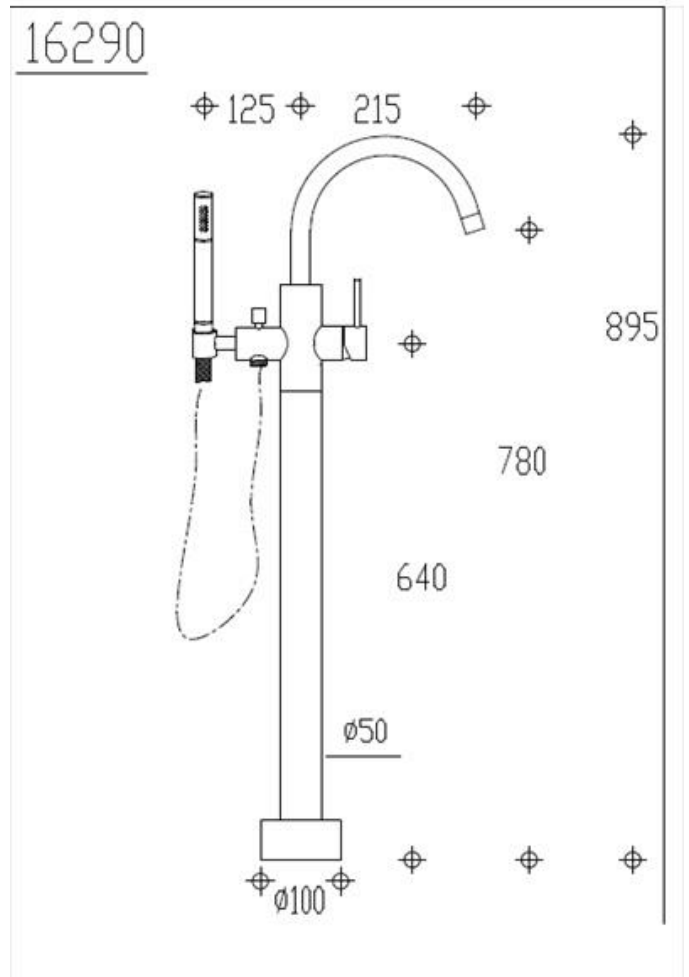


# PROTEUS

PR16290  
 Proteus Floor Standing Bath Filler and Shower



AQUA CONCEPTS  
 10/46 SMITH ST, SOUTHPORT, QLD, 4215 PH: 07 5503 0855 FAX: 07 5503 0877  
 SPECIALISED PROJECT SERVICES  
 PH: 02 9417 0599 FAX: 02 9417 0755

