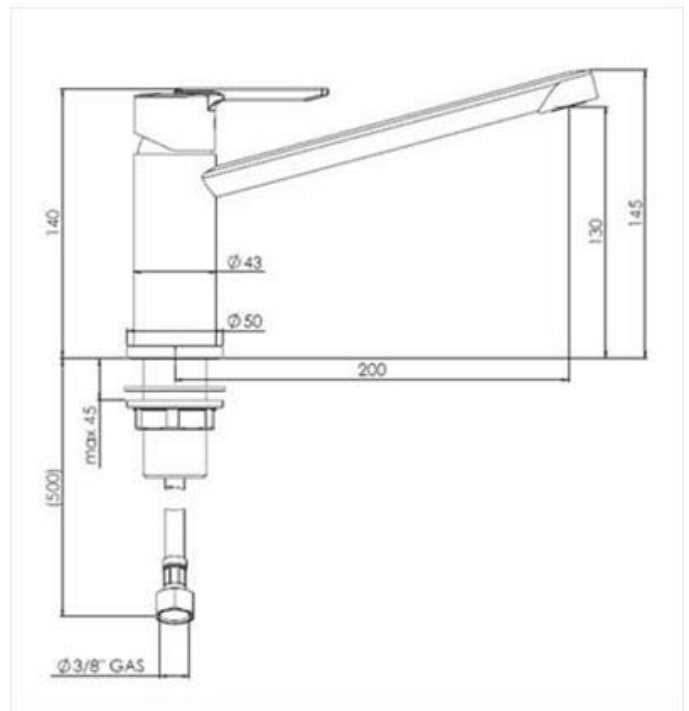


**VIVO**

V7840

Vivo Sink Mixer



**AQUA CONCEPTS**

10/46 SMITH ST, SOUTHPORT, QLD 4215 PH: 07 5503 0855 FAX: 07 5503 0877

**SPECIALISED PROJECT SERVICES**

PH: 02 9417 0599 FAX: 02 9417 0755